



COMMONWEALTH OF KENTUCKY
TRANSPORTATION CABINET

www.transportation.ky.gov/

Andy Beshear
GOVERNOR

Jim Gray
SECRETARY

April 25, 2022

CALL NO. 200
CONTRACT ID NO. 221314
ADDENDUM # 1

Subject: Grayson County, 043GR22D014
Letting April 28, 2022

- (1) Revised - General Summary - Pages 201-203 of 344
- (2) Revised - Paving Summary - Page 204 of 344
- (3) Revised - Detail Sheet - Page 210 of 344
- (4) Revised - Material Summary - Pages 287-291 of 344
- (5) Revised - Proposal Bid Items - Pages 340-344 of 344

Proposal revisions are available at <http://transportation.ky.gov/Construction-Procurement/>.

If you have any questions, please contact us at 502-564-3500.

Sincerely,

Rachel Mills,

A handwritten signature in cursive script that reads "Rachel Mills".

Rachel Mills, P.E.
Director
Division of Construction Procurement

RM:mr
Enclosures

WK 9001
GRAYSON COUNTY
ITEM NO. 4-20003 , PAVEMENT REHABILITATION
MILEPOINT 114.882 TO 116.949
GENERAL SUMMARY

ITEM NUMBER	ITEM		UNIT	QUANTITY
00001	DGA BASE	①	TON	863
00100	ASPHALT SEAL AGGREGATE	①	TON	196
00103	ASPHALT SEAL COAT	①	TON	23
00193	ASPHALT SCRATCH COURSE PG76-22	①	TON	2,186
00194	LEVELING & WEDGING PG76-22	①	TON	750
00219	CL4 ASPH BASE 1.00D PG76-22	①	TON	200
00214	CL3 ASPH BASE 1.00D PG64-22	①	TON	555
00342	CL4 ASPH SURF 0.38A PG76-22	①	TON	6,558
02676	MOBILIZATION FOR MILL & TEXT	①	LS	1
02677	ASPHALT PAVE MILLING & TEXTURING	①	TON	8,945
20071EC	JOINT ADHESIVE	①	LF	23,691
20509ED	BLOW UP/RELIEF JOINT	①	SQYD	1,258
24970EC	ASPHALT MATERIAL FOR TACK NON-TRACKING	①	TON	56
02165	REMOVE PAVED DITCH	②	SQYD	514
02484	CHANNEL LINING CLASS III	②	TON	748
02469	CLEAN SINKHOLE	②	EACH	1
02603	FABRIC-GEOTEXTILE CLASS 2	②	SQYD	30
22660EN	REPLACE GRATE	②	LB	70
23484EC	PIPE LINER ACCEPTANCE TESTING	②	LS	1
23956EC	PIPE REPAIR	②	EACH	1
24585EC	SECURITY PLATE ASSEMBLY	②	EACH	2
24862EC	PVC FOLD AND FORM PIPE LINER-18 IN	②	LF	67
01982	DELINEATOR FOR GUARDRAIL MONO DIRECTIONAL WHITE	③	EACH	27
02369	GUARDRAIL END TREATMENT TYPE 2A	③	EACH	1
02381	REMOVE GUARDRAIL	③	LF	1,287.5
21802EN	G/R STEEL W BEAM-S FACE (7 FT POST)	③	LF	1,287.5
02159	TEMP DITCH		LF	5,457
02160	CLEAN TEMP DITCH		LF	2,729
02703	SILT TRAP TYPE A		EACH	2
02704	SILT TRAP TYPE B		EACH	2
02705	SILT TRAP TYPE C		EACH	2
02706	CLEAN SILT TRAP TYPE A		EACH	2
02707	CLEAN SILT TRAP TYPE B		EACH	2
02708	CLEAN SILT TRAP TYPE C		EACH	2
02575	DITCHING AND SHOULDERING		LF	10,914
05950	EROSION CONTROL BLANKET		SQYD	9,680

- ① CARRIED OVER FROM PAVING SUMMARY.
- ② CARRIED OVER FROM PIPE DRAINAGE SUMMARY.
- ③ CARRIED OVER FROM GUARDRAIL SUMMARY

WK 9001
GRAYSON COUNTY
ITEM NO. 4-20003 , PAVEMENT REHABILITATION
MILEPOINT 114.882 TO 116.949
GENERAL SUMMARY

ITEM NUMBER	ITEM	UNIT	QUANTITY
05952	TEMP MULCH	SQYD	6,453
05953	TEMP SEEDING AND PROTECTION	SQYD	4,840
05963	INITIAL FERTILIZER	TON	0.5
05964	MAINTENANCE FERTILIZER	TON	0.3
05989	SPECIAL SEEDING CROWN VETCH	SQYD	1,162
05992	AGRICULTURAL LIMESTONE	TON	6
40030	TEMPORARY SILT FENCE	LF	5,457
02562	TEMPORARY SIGNS	SQFT	1,000
02650	MAINTAIN & CONTROL TRAFFIC	LS	1
02671	PORTABLE CHANGEABLE MESSAGE SIGN	EACH	4
02775	ARROW PANEL	EACH	2
06511	PAVE STRIPING-TEMP PAINT-6 IN	LF	66,054
06549	PAVE STRIPING-TEMP REM TAPE-B	LF	6,750
06550	PAVE STRIPING-TEMP REM TAPE-W	LF	3,600
06551	PAVE STRIPING-TEMP REM TAPE-Y	LF	1,800
06585	PAVEMENT MARKER TY IVA-MW TEMP	EACH	180
06586	PAVEMENT MARKER TY IVA-MY TEMP	EACH	90
26136EC	PORTABLE QUEUE WARNING ALERT SYSTEM	MONT	5
26137EC	QUEUE WARNING PCMS	MONT	20
26138EC	QUEUE WARNING PORTABLE RADAR SENSORS	MONT	20
02696	SHOULDER RUMBLE STRIPS	LF	44,036
06401	FLEXIBLE DELINEATOR POST-M/W	EACH	244
06542	PAVE STRIPING-THERMO-6 IN W	LF	27,523
06543	PAVE STRIPING-THERMO-6 IN Y	LF	22,018
06613	INLAID PAVEMENT MARKER-B W/R	EACH	275
00078	CRUSHED AGGREGATE SIZE NO 2	④ TON	238
01005	PERFORATED PIPE EDGE DRAIN-4 IN	LF	11,009
01010	NON-PERFORATED PIPE-4 IN	LF	350
01015	INSPECT & CERTIFY EDGE DRAIN SYSTEM	LS	1
01020	PERF PIPE HEADWALL TY 1-4 IN	EACH	5
01024	PERF PIPE HEADWALL TY 2-4 IN	EACH	5
01028	PERF PIPE HEADWALL TY 3-4 IN	EACH	5
01740	CORED HOLE DRAINAGE BOX CON-4 IN	EACH	5
20758ED	REMOVE AND RESET PERF PIPE HEADWALL	EACH	5
02726	STAKING	LS	1
24891EC	PAVE MOUNT INFRARED TEMP EQUIPMENT	SQFT	528,432
02568	MOBILIZATION	LS	1
02569	DEMOBILIZATION	LS	1

④ INCLUDES 200 TONS FROM SHOULDER EROSION REPAIR DETAIL, 25 TONS FOR PERF. PIPE HEADWALLS AND 13 TONS FROM CLEAN SINKHOLE DETAIL.

WK 9001
GRAYSON COUNTY
ITEM NO. 4-2003 , PAVEMENT REHABILITATION
MILEPOINT 114.882 TO 116.949
PAVING SUMMARY

PAVING AREAS (SY)

ITEM	TOTAL	ITEM	TOTAL
MAINLINE AND BOTH SHOULDERS		SHOULDERS	
2" ASPHALT PAVE MILLING & TEXTURING	79,496	ASPHALT SEAL AGGREGATE	9,786
0.5" ASPHALT SCRATCH COURSE PG76-22	79,496	ASPHALT SEAL COAT	9,786
1.5" CL4 ASPH SURF 0.38A PG76-22	79,496		

PAVING SUMMARY

ITEM CODE	ITEM	UNIT	QUANTITY
00001	DGA BASE (1)	TON	863
00100	ASPHALT SEAL AGGREGATE (2)	TON	196
00103	ASPHALT SEAL COAT (3)	TON	23
00193	ASPHALT SCRATCH COURSE PG76-22	TON	2,186
00194	LEVELING & WEDGING PG76-22 (4)	TON	750
00219	CL4 ASPH BASE 1.00D PG76-22 (5)	TON	200
00214	CL3 ASPH BASE 1.00D PG64-22 (6)	TON	555
00342	CL4 ASPH SURF 0.38A PG76-22	TON	6,558
02676	MOBILIZATION FOR MILL & TEXT	LS	1
02677	ASPHALT PAVE MILLING & TEXTURING (7)	TON	8,945
20071EC	JOINT ADHESIVE	LF	23,691
20509ED	BLOW UP/RELIEF JOINT (8)	SQYD	1,258
24970EC	ASPHALT MATERIAL FOR TACK NON-TRACKING (9)	TON	56
			-
			-

- ① FOR ELIMINATION OF SHOULDER DROP-OFFS. INCLUDES 50 TONS FROM SHOULDER EROSION DETAIL AND 250 TONS FOR CROSS SLOPE REVISION.
- ② BASED ON COVERAGE OF 50% OF SHOULDERS AND BASED ON 2 APPLICATIONS OF 20 LBS/SY.
- ③ BASED ON COVERAGE OF 50% OF SHOULDERS AND BASED ON 2 APPLICATIONS OF 2.4 LBS/SY.
- ④ INCLUDES 500 TONS FOR THE CROSS SLOPE REVISION AREA AND 250 TONS TO BE USED AS DIRECTED.

- ⑤ FROM ASPHALT PAVEMENT REPAIR DETAIL.
- ⑥ FOR EDGE DRAIN REPAIR TRENCH CAP.
- ⑦ INCLUDES 200 TONS FROM ASPH. PAVE. REPAIR DETAIL.
- ⑧ FROM BLOWUP/RELIEF JOINT DETAIL.
- ⑨ BASED ON APPLICATION RATE OF 0.7 LBS/SY

ALL TIMES CARRIED OVER TO GENERAL SUMMARY
ASPHALT MIXES CALC. BASED ON 110 LBS/SY/IN

LONGITUDINAL EDGE DRAIN DETAIL

COUNTY OF	ITEM NO.	SHEET NO.
GRAYSON	4-20003	

SPECIAL NOTE FOR PAVEMENT SUBSURFACE DRAINAGE OUTLET

A QUANTITY OF CRUSHED AGGREGATE SIZE NO. 2 AS DEFINED IN THE CURRENT KENTUCKY STANDARD SPECIFICATIONS FOR ROAD AND BRIDGE CONSTRUCTION SHALL BE USED AT ALL PERFORATED PIPE HEADWALL OUTLETS AS ILLUSTRATED IN THE DETAIL AT RIGHT. CRUSHED AGGREGATE SIZE NO. 2 SHALL BE PLACED A MINIMUM DEPTH OF 4 INCHES AS DETAILED BELOW.

DENSE GRADED AGGREGATE (DGA) REMOVED DURING PLACEMENT OF THE CRUSHED AGGREGATE SIZE NO. 2 SHALL BE USED TO DRESS THE EXISTING SHOULDERS WHERE DGAs EXPOSED. OTHER MATERIALS REMOVED DURING PLACEMENT OF THE CRUSHED AGGREGATE SIZE NO. 2 SHALL BE WASHED AND DIRECTED TO THE ENGINEER. NO DIRECT PAYMENT WILL BE ALLOWED FOR DISPOSAL OF WASTED MATERIAL.

THE CONTRACT UNIT PRICE FOR "CRUSHED AGGREGATE SIZE NO. 2" SHALL BE FULL COMPENSATION FOR ALL MATERIALS, LABOR, AND OTHER INCIDENTALS NECESSARY TO PLACE CRUSHED AGGREGATE SIZE NO. 2 FOR CONTROL OF VEGETATION AND/OR EROSION CONTROL AT PAVEMENT EDGE DRAIN OUTLETS.

SEE CURRENT STANDARD DRAWING RDP-010 FOR DIMENSIONS AND OTHER DETAILS. ESTIMATE ONE TON OF CRUSHED AGGREGATE SIZE NO. 2 FOR EACH PERFORATED PIPE HEADWALL OUTLET.

NOTES :

AN INITIAL CAMERA INSPECTION OF THE EXISTING LONGITUDINAL EDGE DRAIN SYSTEM WILL BE PERFORMED TO DETERMINE THE CONDITION OF THE EXISTING SYSTEM. COMPLETE THE INITIAL CAMERA INSPECTION PRIOR TO BEGINNING CONSTRUCTION OF THE PROJECT. THE INITIAL CAMERA INSPECTION SHALL BE PERFORMED AT THE JOINT REPAIR LOCATIONS PRIOR TO PLACEMENT OF ASPHALT. COMPLETE EDGE DRAIN REPAIRS IN RELIEF JOINT REPAIR LOCATIONS PRIOR TO PLACEMENT OF ASPHALT. COMPLETE EDGE DRAIN REPAIRS IN RELIEF JOINT REPAIR LOCATIONS PRIOR TO PLACEMENT OF ASPHALT. A SECOND INSPECTION WILL BE REQUIRED AT THE LOCATION OF THE REPAIRS ONLY TO CERTIFY THE REPAIR WORK. THE ITEM "INSPECT AND CERTIFY EDGE DRAIN SYSTEM" WILL INCLUDE BOTH THE INITIAL INSPECTION AND THE RE-INSPECTION REQUIRED AFTER COMPLETION OF THE REPAIRS.

EXISTING LONGITUDINAL EDGE DRAINS ALONG THE EDGE OF EXISTING PAVEMENT SHALL BE REMOVED WHERE DAMAGED, OBSTRUCTED, OR DEEMED NON-FUNCTIONAL BY THE INITIAL CAMERA INSPECTION AND NEW EDGE DRAINS CONSTRUCTED. REMOVAL AND DISPOSAL OF THE EXISTING UNDERDRAIN SYSTEM SHALL BE INCIDENTAL TO THE OTHER ITEMS OF WORK. ASPHALT QUANTITIES HAVE BEEN ADDED FOR THE CAP REPLACEMENT (SEE DETAIL).

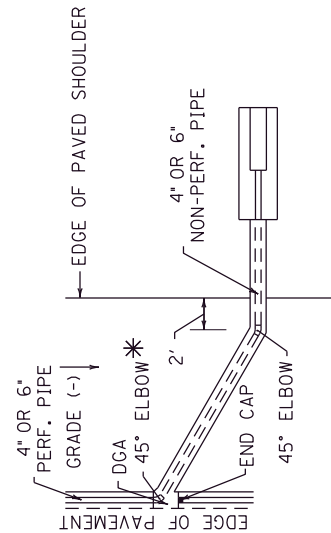
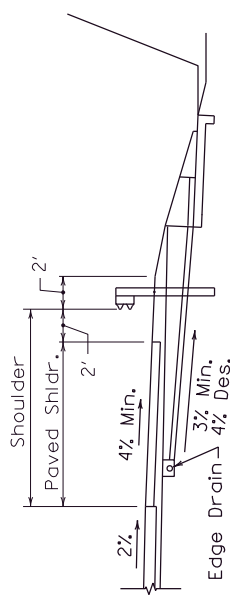
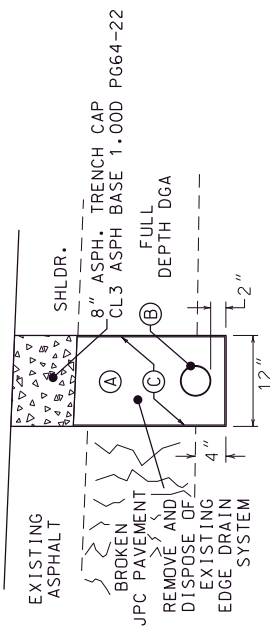
ALL LONGITUDINAL PIPE DRAINAGE SYSTEMS FOR THE PAVEMENT SHALL BE OUTLETTED TO A HEADWALL OR MEDIAN BOX INLET. OUTLETS SHALL BE IN FILL SECTION WHENEVER POSSIBLE. OUTLET SPACING FOR THE 4" PIPE ON THE OUTSIDE EDGE OF EXIST. PAVT. SHALL NOT EXCEED 500 FEET EXCEPT GRADES 1/2 OR LESS. THEN THE SPACING SHALL NOT EXCEED 250 FEET. ALL SAGS SHALL HAVE AN OUTLET. USE EXISTING OUTFALL LOCATIONS WHERE POSSIBLE. REUSE EXISTING PERFORATED PIPE HEADWALLS WHERE POSSIBLE. TYING TO FILL HEADWALLS WILL BE CONSIDERED INCIDENTAL TO OTHER ITEMS OF WORK.

FABRIC GEOTEXTILE, CLASS 2 AND CRUSHED AGGREGATE SIZE NO. 57 ARE INCIDENTAL TO PERFORATED PIPE. REMOVAL OF EXISTING EDGE DRAIN IN THE INSIDE AND OUTSIDE SHOULDERS SHALL BE INCLUDED IN THE UNIT PRICE BID FOR EXISTING PERFORATED PIPE. MAKE THE EXISTING UNDERDRAIN PIPE, EXISTING PERFORATED PIPE HEADWALLS NOT BEING USED SHALL BECOME THE PROPERTY OF THE CONTRACTOR.

LOCATIONS:

TO BE DETERMINED. CONTINGENCY QUANTITIES HAVE BEEN ESTABLISHED AND ARE SHOWN ON THE GENERAL SUMMARY BASED ON AN ESTIMATION THAT APPROXIMATELY 25% OF THE EXISTING SYSTEM WILL REQUIRE REPLACEMENT. FINAL PAYMENT OF THESE ITEMS WILL BE BASED ON THE ACTUAL QUANTITIES PLACED. A QUANTITY OF REMOVE AND RESET PERFORATED PIPE HEADWALL HAS BEEN ESTABLISHED TO BE USED AT THE ENGINEERS DISCRETION TO REUSE EXISTING HEADWALLS AND CORRECT ELEVATIONS.

OUTSIDE SHOULDER



- (A) CRUSHED AGGREGATE SIZE NO. 57 (NO SAND)
- (B) PERFORATED PIPE - 4" OR 6" (NO SOCK)
- (C) NON-PERFORATED PIPE - 4" OR 6" (OUTLET)
- (D) CLASS 2 GEOTEXTILE FABRIC

NOTE: MODIFY LOCATION AS NEEDED TO MATCH EXIST. LOC.

TRENCH DETAILS

* Use Tee in Lieu of Elbow at Sump Conditions

(OUTSIDE SHOULDER DEPICTED)

NOT TO SCALE

WK-9001 PROPOSED
EDGE DRAIN DETAIL

MATERIAL SUMMARY

CONTRACT ID: 221314

043GR22D014

DE04390012206

WESTERN KY PARKWAY (PW 9001) FROM MP 111.25 TO MP 114.882 ASPHALT REHAB INTERSTATE/
PARKWAY, A DISTANCE OF 3.63 MILES.

Project Line No	Bid Code	DESCRIPTION	Quantity	Unit
0005	00001	DGA BASE	8,603.00	TON
0010	00100	ASPHALT SEAL AGGREGATE	412.00	TON
0015	00103	ASPHALT SEAL COAT	49.00	TON
0020	00193	ASPHALT SCRATCH COURSE PG76-22	3,043.00	TON
0025	00194	LEVELING & WEDGING PG76-22	2,956.00	TON
0030	00214	CL3 ASPH BASE 1.00D PG64-22	9,800.00	TON
0035	00219	CL4 ASPH BASE 1.00D PG76-22	5,789.00	TON
0040	00339	CL3 ASPH SURF 0.38D PG64-22	3,714.00	TON
0045	00342	CL4 ASPH SURF 0.38A PG76-22	11,596.00	TON
0050	02101	CEM CONC ENT PAVEMENT-8 IN	93.00	SQYD
0055	02676	MOBILIZATION FOR MILL & TEXT - (NHPP 9001 014)	1.00	LS
0060	02677	ASPHALT PAVE MILLING & TEXTURING	24,164.00	TON
0065	20071EC	JOINT ADHESIVE	87,009.00	LF
0070	20509ED	BLOW UP/RELIEF JOINT	5,350.00	SQYD
0075	24970EC	ASPHALT MATERIAL FOR TACK NON-TRACKING	128.00	TON
0080	00020	TRAFFIC BOUND BASE	50.00	TON
0085	00071	CRUSHED AGGREGATE SIZE NO 57	46.00	TON
0090	00078	CRUSHED AGGREGATE SIZE NO 2	1,199.00	TON
0095	01005	PERFORATED PIPE EDGE DRAIN-4 IN	19,177.00	LF
0100	01010	NON-PERFORATED PIPE-4 IN	630.00	LF
0105	01015	INSPECT & CERTIFY EDGE DRAIN SYSTEM - (NHPP 9001 014)	1.00	LS
0110	01020	PERF PIPE HEADWALL TY 1-4 IN	10.00	EACH
0115	01024	PERF PIPE HEADWALL TY 2-4 IN	10.00	EACH
0120	01028	PERF PIPE HEADWALL TY 3-4 IN	10.00	EACH
0125	01740	CORED HOLE DRAINAGE BOX CON-4 IN	10.00	EACH
0130	01982	DELINEATOR FOR GUARDRAIL MONO DIRECTIONAL WHITE	35.00	EACH
0135	01990	DELINEATOR FOR BARRIER WALL-B/W	96.00	EACH
0140	02003	RELOCATE TEMP CONC BARRIER	2,960.00	LF
0145	02159	TEMP DITCH	11,251.00	LF
0150	02160	CLEAN TEMP DITCH	5,626.00	LF
0155	02230	EMBANKMENT IN PLACE	6,828.00	CUYD
0160	02360	GUARDRAIL TERMINAL SECTION NO 1	1.00	EACH
0165	02369	GUARDRAIL END TREATMENT TYPE 2A	2.00	EACH
0170	02381	REMOVE GUARDRAIL	2,350.00	LF
0175	02391	GUARDRAIL END TREATMENT TYPE 4A	2.00	EACH
0180	02545	CLEARING AND GRUBBING - (NHPP 9001 014-2 ACRES)	1.00	LS
0185	02562	TEMPORARY SIGNS	1,200.00	SQFT
0190	02575	DITCHING AND SHOULDERING	19,177.00	LF
0195	02603	FABRIC-GEOTEXTILE CLASS 2	3,700.00	SQYD
0200	02650	MAINTAIN & CONTROL TRAFFIC - (NHPP 9001 014)	1.00	LS
0205	02671	PORTABLE CHANGEABLE MESSAGE SIGN	4.00	EACH
0210	02696	SHOULDER RUMBLE STRIPS	84,798.00	LF

MATERIAL SUMMARY

Project Line No	Bid Code	DESCRIPTION	Quantity	Unit
0215	02703	SILT TRAP TYPE A	4.00	EACH
0220	02704	SILT TRAP TYPE B	4.00	EACH
0225	02705	SILT TRAP TYPE C	4.00	EACH
0230	02706	CLEAN SILT TRAP TYPE A	4.00	EACH
0235	02707	CLEAN SILT TRAP TYPE B	4.00	EACH
0240	02708	CLEAN SILT TRAP TYPE C	4.00	EACH
0245	02726	STAKING - (NHPP 9001 014)	1.00	LS
0250	02775	ARROW PANEL	2.00	EACH
0255	02898	RELOCATE CRASH CUSHION	7.00	EACH
0260	03171	CONCRETE BARRIER WALL TYPE 9T	1,360.00	LF
0265	04934	TEMP SIGNAL MULTI PHASE	1.00	EACH
0270	05950	EROSION CONTROL BLANKET	18,505.00	SQYD
0275	05952	TEMP MULCH	12,337.00	SQYD
0280	05953	TEMP SEEDING AND PROTECTION	9,253.00	SQYD
0285	05963	INITIAL FERTILIZER	1.00	TON
0290	05964	MAINTENANCE FERTILIZER	.60	TON
0295	05989	SPECIAL SEEDING CROWN VETCH	2,221.00	SQYD
0300	05992	AGRICULTURAL LIMESTONE	11.50	TON
0305	06401	FLEXIBLE DELINEATOR POST-M/W	553.00	EACH
0310	06404	FLEXIBLE DELINEATOR POST-M/Y	81.00	EACH
0315	06427	TRENCHING	1,234.00	LF
0320	06510	PAVE STRIPING-TEMP PAINT-4 IN	18,000.00	LF
0325	06511	PAVE STRIPING-TEMP PAINT-6 IN	174,316.00	LF
0330	06542	PAVE STRIPING-THERMO-6 IN W	52,188.00	LF
0335	06543	PAVE STRIPING-THERMO-6 IN Y	42,399.00	LF
0340	06546	PAVE STRIPING-THERMO-12 IN W	2,464.00	LF
0345	06547	PAVE STRIPING-THERMO-12 IN Y	120.00	LF
0350	06549	PAVE STRIPING-TEMP REM TAPE-B	9,000.00	LF
0355	06550	PAVE STRIPING-TEMP REM TAPE-W	3,600.00	LF
0360	06551	PAVE STRIPING-TEMP REM TAPE-Y	3,600.00	LF
0365	06568	PAVE MARKING-THERMO STOP BAR-24IN	163.00	LF
0370	06569	PAVE MARKING-THERMO CROSS-HATCH	152.00	SQFT
0375	06585	PAVEMENT MARKER TY IVA-MW TEMP	180.00	EACH
0380	06586	PAVEMENT MARKER TY IVA-MY TEMP	180.00	EACH
0385	06613	INLAID PAVEMENT MARKER-B W/R	536.00	EACH
0390	06614	INLAID PAVEMENT MARKER-B Y/R	51.00	EACH
0395	08100	CONCRETE-CLASS A	12.16	CUYD
0400	08150	STEEL REINFORCEMENT	368.00	LB
0405	08903	CRASH CUSHION TY VI CLASS BT TL3	3.00	EACH
0410	10020NS	FUEL ADJUSTMENT	60,529.00	DOLL
0415	10030NS	ASPHALT ADJUSTMENT	144,256.00	DOLL
0420	20191ED	OBJECT MARKER TY 3	4.00	EACH
0425	20756ED	RESHAPE MEDIAN	225.00	LF
0430	20758ED	REMOVE AND RESET PERF PIPE HEADWALL	2.00	EACH
0435	21802EN	G/R STEEL W BEAM-S FACE (7 FT POST)	1,950.00	LF
0440	23979EC	CRASH CUSHION TY VI CLASS C TL3	2.00	EACH
0445	24401EC	DURABLE WATERBORNE MARKING-4 IN W	3,200.00	LF
0450	24402EC	DURABLE WATERBORNE MARKING-4 IN Y	3,200.00	LF
0455	24679ED	PAVE MARK THERMO CHEVRON	922.00	SQFT
0460	24891EC	PAVE MOUNT INFRARED TEMP EQUIPMENT	1,367,033.00	SF

MATERIAL SUMMARY

Project Line No	Bid Code	DESCRIPTION	Quantity	Unit
0465	25078ED	THRIE BEAM GUARDRAIL TRANSITION TL-3	3.00	EACH
0470	26136EC	PORTABLE QUEUE WARNING ALERT SYSTEM	8.00	MONT
0475	26137EC	QUEUE WARNING PCMS	32.00	MONT
0480	26138EC	QUEUE WARNING PORTABLE RADAR SENSORS	32.00	MONT
0485	40030	TEMPORARY SILT FENCE	11,251.00	LF
0490	00440	ENTRANCE PIPE-15 IN	75.00	LF
0495	02165	REMOVE PAVED DITCH	326.00	SQYD
0500	02484	CHANNEL LINING CLASS III	940.00	TON
0505	22045NN	FLUME INLET TY 2-MOD	2.00	EACH
0510	22660EN	REPLACE GRATE	454.00	LB
0515	22766ED	TRENCH DRAIN	207.00	LF
0520	24585EC	SECURITY PLATE ASSEMBLY	2.00	EACH
0525	02231	STRUCTURE GRANULAR BACKFILL	331.00	CUYD
0530	02403	REMOVE CONCRETE MASONRY	561.80	CUYD
0535	02998	MASONRY COATING	1,108.00	SQYD
0540	03299	ARMORED EDGE FOR CONCRETE	113.60	LF
0545	08002	STRUCTURE EXCAV-SOLID ROCK	45.00	CUYD
0550	08003	FOUNDATION PREPARATION - (#28464)	1.00	LS
0555	08020	CRUSHED AGGREGATE SLOPE PROT	266.00	TON
0560	08033	TEST PILES	44.00	LF
0565	08046	PILES-STEEL HP12X53	235.00	LF
0570	08094	PILE POINTS-12 IN	16.00	EACH
0575	08100	CONCRETE-CLASS A	499.50	CUYD
0580	08104	CONCRETE-CLASS AA	387.90	CUYD
0585	08130	MECHANICAL REINF COUPLER #5	45.00	EACH
0590	08133	MECHANICAL REINF COUPLER #8	42.00	EACH
0595	08150	STEEL REINFORCEMENT	65,065.00	LB
0600	08151	STEEL REINFORCEMENT-EPOXY COATED	101,004.00	LB
0605	08269	ELECTRICAL CONDUIT - (#28464)	1.00	LS
0610	08305	REMOVE REINF CONCRETE - (#28464)	1.00	LS
0615	08670	PRECAST PC BOX BEAM SB27	1,401.00	LF
0620	23378EC	CONCRETE SEALING	19,012.00	SQFT
0625	25028ED	RAIL SYSTEM SINGLE SLOPE - 40 IN	479.00	LF
0630	25078ED	THRIE BEAM GUARDRAIL TRANSITION TL-3	4.00	EACH
0635	02403	REMOVE CONCRETE MASONRY	17.50	CUYD
0640	08003	FOUNDATION PREPARATION - (#28465)	1.00	LS
0645	08100	CONCRETE-CLASS A	45.60	CUYD
0650	08150	STEEL REINFORCEMENT	4,005.00	LB
0655	04798	CONDUIT-3 1/2 IN	90.00	LF
0660	04800	MARKER	1.00	EACH
0665	04820	TRENCHING AND BACKFILLING	515.00	LF
0670	04860	CABLE-NO. 8/3C DUCTED	825.00	LF
0675	04940	REMOVE LIGHTING - (NHPP 9001 014)	1.00	LS
0680	20391NS835	ELECTRICAL JUNCTION BOX TYPE A	3.00	EACH
0685	21543EN	BORE AND JACK CONDUIT	90.00	LF
0690	21579EN	FLEX CONDUIT-1 1/4 IN	50.00	LF
0695	02568	MOBILIZATION	1.00	LS
0700	02569	DEMOBILIZATION	1.00	LS

MATERIAL SUMMARY

CONTRACT ID: 221314

043GR22D014

DE04390012214

WESTERN KY PARKWAY (PW 9001) FROM MILEPOINT 114.882 TO MILEPOINT 116.949 ASPHALT REHAB INTERSTATE/PARKWAY, A DISTANCE OF 2.07 MILES.

Project Line No	Bid Code	DESCRIPTION	Quantity	Unit
0705	00001	DGA BASE	863.00	TON
0710	00100	ASPHALT SEAL AGGREGATE	196.00	TON
0715	00103	ASPHALT SEAL COAT	23.00	TON
0720	00193	ASPHALT SCRATCH COURSE PG76-22	2,186.00	TON
0725	00194	LEVELING & WEDGING PG76-22	750.00	TON
0730	00219	CL4 ASPH BASE 1.00D PG76-22	200.00	TON
0735	00342	CL4 ASPH SURF 0.38A PG76-22	6,558.00	TON
0740	02676	MOBILIZATION FOR MILL & TEXT - (NHPP 9001 015)	1.00	LS
0745	02677	ASPHALT PAVE MILLING & TEXTURING	8,945.00	TON
0750	20071EC	JOINT ADHESIVE	23,691.00	LF
0755	20509ED	BLOW UP/RELIEF JOINT	1,258.00	SQYD
0760	24970EC	ASPHALT MATERIAL FOR TACK NON-TRACKING	56.00	TON
0765	00078	CRUSHED AGGREGATE SIZE NO 2	238.00	TON
0770	01005	PERFORATED PIPE EDGE DRAIN-4 IN	11,009.00	LF
0775	01010	NON-PERFORATED PIPE-4 IN	350.00	LF
0780	01015	INSPECT & CERTIFY EDGE DRAIN SYSTEM - (NHPP 9001 015)	1.00	LS
0785	01020	PERF PIPE HEADWALL TY 1-4 IN	5.00	EACH
0790	01024	PERF PIPE HEADWALL TY 2-4 IN	5.00	EACH
0795	01028	PERF PIPE HEADWALL TY 3-4 IN	5.00	EACH
0800	01740	CORED HOLE DRAINAGE BOX CON-4 IN	5.00	EACH
0805	01982	DELINEATOR FOR GUARDRAIL MONO DIRECTIONAL WHITE	27.00	EACH
0810	02159	TEMP DITCH	5,457.00	LF
0815	02160	CLEAN TEMP DITCH	2,729.00	LF
0820	02369	GUARDRAIL END TREATMENT TYPE 2A	1.00	EACH
0825	02381	REMOVE GUARDRAIL	1,287.50	LF
0830	02562	TEMPORARY SIGNS	1,000.00	SQFT
0835	02575	DITCHING AND SHOULDERING	10,914.00	LF
0840	02650	MAINTAIN & CONTROL TRAFFIC - (NHPP 9001 015)	1.00	LS
0845	02671	PORTABLE CHANGEABLE MESSAGE SIGN	4.00	EACH
0850	02696	SHOULDER RUMBLE STRIPS	44,036.00	LF
0855	02703	SILT TRAP TYPE A	2.00	EACH
0860	02704	SILT TRAP TYPE B	2.00	EACH
0865	02705	SILT TRAP TYPE C	2.00	EACH
0870	02706	CLEAN SILT TRAP TYPE A	2.00	EACH
0875	02707	CLEAN SILT TRAP TYPE B	2.00	EACH
0880	02708	CLEAN SILT TRAP TYPE C	2.00	EACH
0885	02726	STAKING - (NHPP 9001 015)	1.00	LS
0890	02775	ARROW PANEL	2.00	EACH
0895	05950	EROSION CONTROL BLANKET	9,680.00	SQYD
0900	05952	TEMP MULCH	6,453.00	SQYD
0905	05953	TEMP SEEDING AND PROTECTION	4,840.00	SQYD
0910	05963	INITIAL FERTILIZER	.50	TON
0915	05964	MAINTENANCE FERTILIZER	.30	TON

MATERIAL SUMMARY

Project Line No	Bid Code	DESCRIPTION	Quantity	Unit
0920	05989	SPECIAL SEEDING CROWN VETCH	1,162.00	SQYD
0925	05992	AGRICULTURAL LIMESTONE	6.00	TON
0930	06401	FLEXIBLE DELINEATOR POST-M/W	244.00	EACH
0935	06511	PAVE STRIPING-TEMP PAINT-6 IN	66,054.00	LF
0940	06542	PAVE STRIPING-THERMO-6 IN W	27,523.00	LF
0945	06543	PAVE STRIPING-THERMO-6 IN Y	22,018.00	LF
0950	06549	PAVE STRIPING-TEMP REM TAPE-B	6,750.00	LF
0955	06550	PAVE STRIPING-TEMP REM TAPE-W	3,600.00	LF
0960	06551	PAVE STRIPING-TEMP REM TAPE-Y	1,800.00	LF
0965	06585	PAVEMENT MARKER TY IVA-MW TEMP	180.00	EACH
0970	06586	PAVEMENT MARKER TY IVA-MY TEMP	90.00	EACH
0975	06613	INLAID PAVEMENT MARKER-B W/R	275.00	EACH
0980	10020NS	FUEL ADJUSTMENT	15,953.00	DOLL
0985	10030NS	ASPHALT ADJUSTMENT	40,069.00	DOLL
0990	20758ED	REMOVE AND RESET PERF PIPE HEADWALL	5.00	EACH
0995	21802EN	G/R STEEL W BEAM-S FACE (7 FT POST)	1,287.50	LF
1000	24891EC	PAVE MOUNT INFRARED TEMP EQUIPMENT	528,432.00	SF
1005	26136EC	PORTABLE QUEUE WARNING ALERT SYSTEM	8.00	MONT
1010	26137EC	QUEUE WARNING PCMS	32.00	MONT
1015	26138EC	QUEUE WARNING PORTABLE RADAR SENSORS	32.00	MONT
1020	40030	TEMPORARY SILT FENCE	5,457.00	LF
1025	02165	REMOVE PAVED DITCH	514.00	SQYD
1030	02469	CLEAN SINKHOLE	1.00	EACH
1035	02484	CHANNEL LINING CLASS III	748.00	TON
1040	02603	FABRIC-GEOTEXTILE CLASS 2	30.00	SQYD
1045	22660EN	REPLACE GRATE	70.00	LB
1050	23484EC	PIPE LINER ACCEPTANCE TESTING - (NHPP 9001 015)	1.00	LS
1055	23956EC	PIPE REPAIR	1.00	EACH
1060	24585EC	SECURITY PLATE ASSEMBLY	2.00	EACH
1065	24862EC	PVC FOLD AND FORM PIPE LINER-18 IN	67.00	LF
1070	02568	MOBILIZATION	1.00	LS
1075	02569	DEMOBILIZATION	1.00	LS
1080	00214	CL3 ASPH BASE 1.00D PG64-22 - (ADDED 4-25-22)	555.00	TON

PROPOSAL BID ITEMS

221314

Page 1 of 5

Report Date 4/25/22

Section: 0001 - PAVING

LINE	BID CODE	ALT	DESCRIPTION	QUANTITY	UNIT	UNIT PRIC	FP	AMOUNT
0010	00001		DGA BASE	9,466.00	TON		\$	
0020	00100		ASPHALT SEAL AGGREGATE	608.00	TON		\$	
0030	00103		ASPHALT SEAL COAT	72.00	TON		\$	
0040	00193		ASPHALT SCRATCH COURSE PG76-22	5,229.00	TON		\$	
0050	00194		LEVELING & WEDGING PG76-22	3,706.00	TON		\$	
0060	00214		CL3 ASPH BASE 1.00D PG64-22	9,800.00	TON		\$	
0065	00214		CL3 ASPH BASE 1.00D PG64-22 (ADDED 4-25-22)	555.00	TON		\$	
0070	00219		CL4 ASPH BASE 1.00D PG76-22	5,989.00	TON		\$	
0080	00339		CL3 ASPH SURF 0.38D PG64-22	3,714.00	TON		\$	
0090	00342		CL4 ASPH SURF 0.38A PG76-22	18,154.00	TON		\$	
0100	02101		CEM CONC ENT PAVEMENT-8 IN	93.00	SQYD		\$	
0110	02676		MOBILIZATION FOR MILL & TEXT (NHPP 9001 014)	1.00	LS		\$	
0120	02676		MOBILIZATION FOR MILL & TEXT (NHPP 9001 015)	1.00	LS		\$	
0130	02677		ASPHALT PAVE MILLING & TEXTURING	33,109.00	TON		\$	
0140	20071EC		JOINT ADHESIVE	110,700.00	LF		\$	
0150	20509ED		BLOW UP/RELIEF JOINT	6,608.00	SQYD		\$	
0160	24970EC		ASPHALT MATERIAL FOR TACK NON- TRACKING	184.00	TON		\$	

Section: 0002 - ROADWAY

LINE	BID CODE	ALT	DESCRIPTION	QUANTITY	UNIT	UNIT PRIC	FP	AMOUNT
0170	00020		TRAFFIC BOUND BASE	50.00	TON		\$	
0180	00071		CRUSHED AGGREGATE SIZE NO 57	46.00	TON		\$	
0190	00078		CRUSHED AGGREGATE SIZE NO 2	1,437.00	TON		\$	
0200	01005		PERFORATED PIPE EDGE DRAIN-4 IN	30,186.00	LF		\$	
0210	01010		NON-PERFORATED PIPE-4 IN	980.00	LF		\$	
0220	01015		INSPECT & CERTIFY EDGE DRAIN SYSTEM (NHPP 9001 014)	1.00	LS		\$	
0230	01015		INSPECT & CERTIFY EDGE DRAIN SYSTEM (NHPP 9001 015)	1.00	LS		\$	
0240	01020		PERF PIPE HEADWALL TY 1-4 IN	15.00	EACH		\$	
0250	01024		PERF PIPE HEADWALL TY 2-4 IN	15.00	EACH		\$	
0260	01028		PERF PIPE HEADWALL TY 3-4 IN	15.00	EACH		\$	
0270	01740		CORED HOLE DRAINAGE BOX CON-4 IN	15.00	EACH		\$	
0280	01982		DELINEATOR FOR GUARDRAIL MONO DIRECTIONAL WHITE	62.00	EACH		\$	
0290	01990		DELINEATOR FOR BARRIER WALL-B/W	96.00	EACH		\$	
0300	02003		RELOCATE TEMP CONC BARRIER	2,960.00	LF		\$	
0310	02159		TEMP DITCH	16,708.00	LF		\$	
0320	02160		CLEAN TEMP DITCH	8,355.00	LF		\$	
0330	02230		EMBANKMENT IN PLACE	6,828.00	CUYD		\$	
0340	02360		GUARDRAIL TERMINAL SECTION NO 1	1.00	EACH		\$	
0350	02369		GUARDRAIL END TREATMENT TYPE 2A	3.00	EACH		\$	
0360	02381		REMOVE GUARDRAIL	3,637.50	LF		\$	

PROPOSAL BID ITEMS

221314

Page 2 of 5

Report Date 4/25/22

LINE	BID CODE	ALT	DESCRIPTION	QUANTITY	UNIT	UNIT PRIC	FP	AMOUNT
0370	02391		GUARDRAIL END TREATMENT TYPE 4A	2.00	EACH		\$	
0380	02545		CLEARING AND GRUBBING (NHPP 9001 014-2 ACRES)	1.00	LS		\$	
0390	02562		TEMPORARY SIGNS	2,200.00	SQFT		\$	
0400	02575		DITCHING AND SHOULDERING	30,091.00	LF		\$	
0410	02603		FABRIC-GEOTEXTILE CLASS 2	3,700.00	SQYD		\$	
0420	02650		MAINTAIN & CONTROL TRAFFIC (NHPP 9001 014)	1.00	LS		\$	
0430	02650		MAINTAIN & CONTROL TRAFFIC (NHPP 9001 015)	1.00	LS		\$	
0440	02671		PORTABLE CHANGEABLE MESSAGE SIGN	8.00	EACH		\$	
0450	02696		SHOULDER RUMBLE STRIPS	128,834.00	LF		\$	
0460	02703		SILT TRAP TYPE A	6.00	EACH		\$	
0470	02704		SILT TRAP TYPE B	6.00	EACH		\$	
0480	02705		SILT TRAP TYPE C	6.00	EACH		\$	
0490	02706		CLEAN SILT TRAP TYPE A	6.00	EACH		\$	
0500	02707		CLEAN SILT TRAP TYPE B	6.00	EACH		\$	
0510	02708		CLEAN SILT TRAP TYPE C	6.00	EACH		\$	
0520	02726		STAKING (NHPP 9001 014)	1.00	LS		\$	
0530	02726		STAKING (NHPP 9001 015)	1.00	LS		\$	
0540	02775		ARROW PANEL	4.00	EACH		\$	
0550	02898		RELOCATE CRASH CUSHION	7.00	EACH		\$	
0560	03171		CONCRETE BARRIER WALL TYPE 9T	1,360.00	LF		\$	
0570	04934		TEMP SIGNAL MULTI PHASE	1.00	EACH		\$	
0580	05950		EROSION CONTROL BLANKET	28,185.00	SQYD		\$	
0590	05952		TEMP MULCH	18,790.00	SQYD		\$	
0600	05953		TEMP SEEDING AND PROTECTION	14,093.00	SQYD		\$	
0610	05963		INITIAL FERTILIZER	1.50	TON		\$	
0620	05964		MAINTENANCE FERTILIZER	.90	TON		\$	
0630	05989		SPECIAL SEEDING CROWN VETCH	3,383.00	SQYD		\$	
0640	05992		AGRICULTURAL LIMESTONE	17.50	TON		\$	
0650	06401		FLEXIBLE DELINEATOR POST-M/W	797.00	EACH		\$	
0660	06404		FLEXIBLE DELINEATOR POST-M/Y	81.00	EACH		\$	
0670	06427		TRENCHING	1,234.00	LF		\$	
0680	06510		PAVE STRIPING-TEMP PAINT-4 IN	18,000.00	LF		\$	
0690	06511		PAVE STRIPING-TEMP PAINT-6 IN	240,370.00	LF		\$	
0700	06542		PAVE STRIPING-THERMO-6 IN W	79,711.00	LF		\$	
0710	06543		PAVE STRIPING-THERMO-6 IN Y	64,417.00	LF		\$	
0720	06546		PAVE STRIPING-THERMO-12 IN W	2,464.00	LF		\$	
0730	06547		PAVE STRIPING-THERMO-12 IN Y	120.00	LF		\$	
0740	06549		PAVE STRIPING-TEMP REM TAPE-B	15,750.00	LF		\$	
0750	06550		PAVE STRIPING-TEMP REM TAPE-W	7,200.00	LF		\$	
0760	06551		PAVE STRIPING-TEMP REM TAPE-Y	5,400.00	LF		\$	
0770	06568		PAVE MARKING-THERMO STOP BAR-24IN	163.00	LF		\$	
0780	06569		PAVE MARKING-THERMO CROSS-HATCH	152.00	SQFT		\$	
0790	06585		PAVEMENT MARKER TY IVA-MW TEMP	360.00	EACH		\$	
0800	06586		PAVEMENT MARKER TY IVA-MY TEMP	270.00	EACH		\$	
0810	06613		INLAID PAVEMENT MARKER-B W/R	811.00	EACH		\$	
0820	06614		INLAID PAVEMENT MARKER-B Y/R	51.00	EACH		\$	

PROPOSAL BID ITEMS

221314

Page 3 of 5

Report Date 4/25/22

LINE	BID CODE	ALT	DESCRIPTION	QUANTITY	UNIT	UNIT PRIC	FP	AMOUNT
0830	08100		CONCRETE-CLASS A	12.16	CUYD		\$	
0840	08150		STEEL REINFORCEMENT	368.00	LB		\$	
0850	08903		CRASH CUSHION TY VI CLASS BT TL3	3.00	EACH		\$	
0860	10020NS		FUEL ADJUSTMENT	76,482.00	DOLL	\$1.00	\$	\$76,482.00
0870	10030NS		ASPHALT ADJUSTMENT	184,325.00	DOLL	\$1.00	\$	\$184,325.00
0880	20191ED		OBJECT MARKER TY 3	4.00	EACH		\$	
0890	20756ED		RESHAPE MEDIAN	225.00	LF		\$	
0900	20758ED		REMOVE AND RESET PERF PIPE HEADWALL	7.00	EACH		\$	
0910	21802EN		G/R STEEL W BEAM-S FACE (7 FT POST)	3,237.50	LF		\$	
0920	23979EC		CRASH CUSHION TY VI CLASS C TL3	2.00	EACH		\$	
0930	24401EC		DURABLE WATERBORNE MARKING-4 IN W	3,200.00	LF		\$	
0940	24402EC		DURABLE WATERBORNE MARKING-4 IN Y	3,200.00	LF		\$	
0950	24679ED		PAVE MARK THERMO CHEVRON	922.00	SQFT		\$	
0960	24891EC		PAVE MOUNT INFRARED TEMP EQUIPMENT	1,895,465.00	SF		\$	
0970	25078ED		THRIE BEAM GUARDRAIL TRANSITION TL-3	3.00	EACH		\$	
0980	26136EC		PORTABLE QUEUE WARNING ALERT SYSTEM	16.00	MONT		\$	
0990	26137EC		QUEUE WARNING PCMS	64.00	MONT		\$	
1000	26138EC		QUEUE WARNING PORTABLE RADAR SENSORS	64.00	MONT		\$	
1010	40030		TEMPORARY SILT FENCE	16,708.00	LF		\$	

Section: 0003 - DRAINAGE

LINE	BID CODE	ALT	DESCRIPTION	QUANTITY	UNIT	UNIT PRIC	FP	AMOUNT
1020	00440		ENTRANCE PIPE-15 IN	75.00	LF		\$	
1030	02165		REMOVE PAVED DITCH	840.00	SQYD		\$	
1040	02469		CLEAN SINKHOLE	1.00	EACH		\$	
1050	02484		CHANNEL LINING CLASS III	1,688.00	TON		\$	
1060	02603		FABRIC-GEOTEXTILE CLASS 2	30.00	SQYD		\$	
1070	22045NN		FLUME INLET TY 2-MOD	2.00	EACH		\$	
1080	22660EN		REPLACE GRATE	524.00	LB		\$	
1090	22766ED		TRENCH DRAIN	207.00	LF		\$	
1100	23484EC		PIPE LINER ACCEPTANCE TESTING (NHPP 9001 015)	1.00	LS		\$	
1110	23956EC		PIPE REPAIR	1.00	EACH		\$	
1120	24585EC		SECURITY PLATE ASSEMBLY	4.00	EACH		\$	
1130	24862EC		PVC FOLD AND FORM PIPE LINER-18 IN	67.00	LF		\$	

Section: 0004 - BRIDGE - #28464

LINE	BID CODE	ALT	DESCRIPTION	QUANTITY	UNIT	UNIT PRIC	FP	AMOUNT
1140	02231		STRUCTURE GRANULAR BACKFILL	331.00	CUYD		\$	
1150	02403		REMOVE CONCRETE MASONRY	561.80	CUYD		\$	
1160	02998		MASONRY COATING	1,108.00	SQYD		\$	
1170	03299		ARMORED EDGE FOR CONCRETE	113.60	LF		\$	
1180	08002		STRUCTURE EXCAV-SOLID ROCK	45.00	CUYD		\$	

PROPOSAL BID ITEMS

221314

Page 4 of 5

Report Date 4/25/22

LINE	BID CODE	ALT	DESCRIPTION	QUANTITY	UNIT	UNIT PRIC	FP	AMOUNT
1190	08003		FOUNDATION PREPARATION (#28464)	1.00	LS		\$	
1200	08020		CRUSHED AGGREGATE SLOPE PROT	266.00	TON		\$	
1210	08033		TEST PILES	44.00	LF		\$	
1220	08046		PILES-STEEL HP12X53	235.00	LF		\$	
1230	08094		PILE POINTS-12 IN	16.00	EACH		\$	
1240	08100		CONCRETE-CLASS A	499.50	CUYD		\$	
1250	08104		CONCRETE-CLASS AA	387.90	CUYD		\$	
1260	08130		MECHANICAL REINF COUPLER #5	45.00	EACH		\$	
1270	08133		MECHANICAL REINF COUPLER #8	42.00	EACH		\$	
1280	08150		STEEL REINFORCEMENT	65,065.00	LB		\$	
1290	08151		STEEL REINFORCEMENT-EPOXY COATED	101,004.00	LB		\$	
1300	08269		ELECTRICAL CONDUIT (#28464)	1.00	LS		\$	
1310	08305		REMOVE REINF CONCRETE (#28464)	1.00	LS		\$	
1320	08670		PRECAST PC BOX BEAM SB27	1,401.00	LF		\$	
1330	23378EC		CONCRETE SEALING	19,012.00	SQFT		\$	
1340	25028ED		RAIL SYSTEM SINGLE SLOPE - 40 IN	479.00	LF		\$	
1350	25078ED		THRIE BEAM GUARDRAIL TRANSITION TL-3	4.00	EACH		\$	

Section: 0005 - BRIDGE - #28465

LINE	BID CODE	ALT	DESCRIPTION	QUANTITY	UNIT	UNIT PRIC	FP	AMOUNT
1360	02403		REMOVE CONCRETE MASONRY	17.50	CUYD		\$	
1370	08003		FOUNDATION PREPARATION (#28465)	1.00	LS		\$	
1380	08100		CONCRETE-CLASS A	45.60	CUYD		\$	
1390	08150		STEEL REINFORCEMENT	4,005.00	LB		\$	

Section: 0006 - LIGHTING

LINE	BID CODE	ALT	DESCRIPTION	QUANTITY	UNIT	UNIT PRIC	FP	AMOUNT
1400	04798		CONDUIT-3 1/2 IN	90.00	LF		\$	
1410	04800		MARKER	1.00	EACH		\$	
1420	04820		TRENCHING AND BACKFILLING	515.00	LF		\$	
1430	04860		CABLE-NO. 8/3C DUCTED	825.00	LF		\$	
1440	04940		REMOVE LIGHTING (NHPP 9001 014)	1.00	LS		\$	
1450	20391NS835		ELECTRICAL JUNCTION BOX TYPE A	3.00	EACH		\$	
1460	21543EN		BORE AND JACK CONDUIT	90.00	LF		\$	
1470	21579EN		FLEX CONDUIT-1 1/4 IN	50.00	LF		\$	

Section: 0007 - DEMOBILIZATION &/OR MOBILIZATION

LINE	BID CODE	ALT	DESCRIPTION	QUANTITY	UNIT	UNIT PRIC	FP	AMOUNT
1480	02568		MOBILIZATION	1.00	LS		\$	

221314

PROPOSAL BID ITEMS

Page 5 of 5

Report Date 4/25/22

LINE	BID CODE	ALT	DESCRIPTION	QUANTITY	UNIT	UNIT PRIC	FP	AMOUNT
1490	02569		DEMOBILIZATION	1.00	LS		\$	